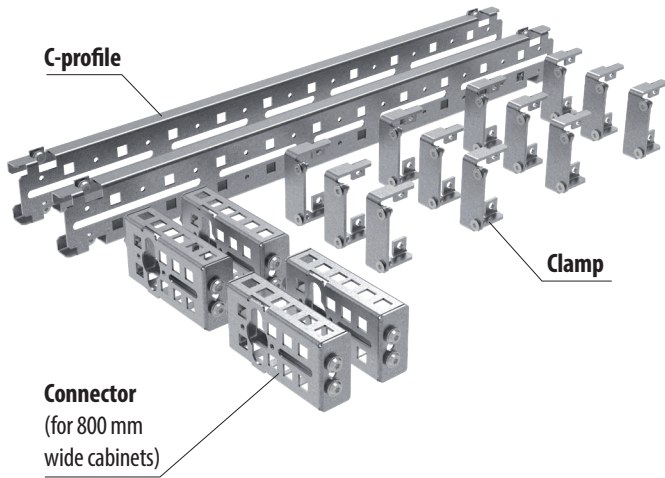


SZB IT2 Reinforcement Set

Catalogue number: WZ-9125-40-xx-000



A set of elements to reinforce the structure of SZB IT2 cabinet to increase its load capacity (permissible static load) from 500 to 1500 kg.

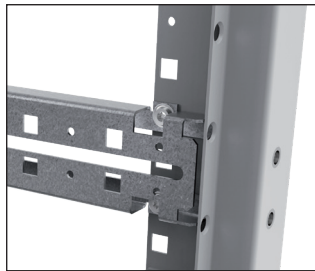
Consists of 2 additional (central) C-profiles with a length adapted to the cabinet depth, 12 clamps (2 clamps for each C-profile in the cabinet) and 4 connectors (only for 800 mm wide cabinets).

Material

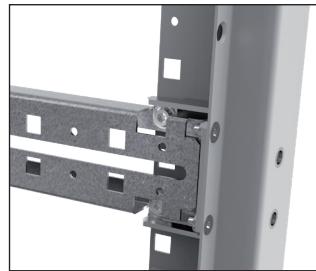
Al-Zn coated sheet steel.

Scope of delivery

Reinforcement set with fixing accessories.

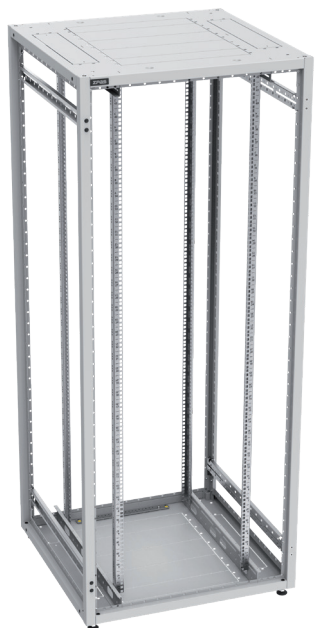


C-profile without clamp



C-profile with clamp

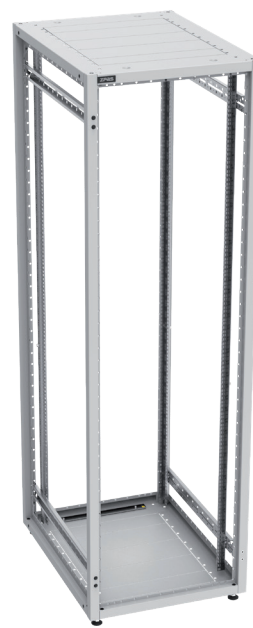
| SZB IT2 abinets' | | Catalogue number of the reinforcement set |
|------------------|------------|---|
| width [mm] | depth [mm] | |
| 600 | 600 | WZ-9125-40-01-000 |
| | 800 | WZ-9125-40-02-000 |
| | 1000 | WZ-9125-40-03-000 |
| | 1200 | WZ-9125-40-04-000 |
| 800 | 600 | WZ-9125-40-05-000 |
| | 800 | WZ-9125-40-06-000 |
| | 1000 | WZ-9125-40-07-000 |
| | 1200 | WZ-9125-40-08-000 |



Cabinet 800 mm wide without reinforcement set
Load capacity: 500 kg



Cabinet 800 mm wide with reinforcement set
Load capacity: 1500 kg



Cabinet 600 mm wide without reinforcement set
Load capacity: 500 kg



Cabinet 600 mm wide with reinforcement set
Load capacity: 1500 kg