

**SZB IT2 Data Communication Cabinet 42 U, 800 x 800 mm**

Catalogue number: WZ-IT2-428080-69AA-14-011



**PRODUCT DESCRIPTION**

Cabinet for ICT applications based on a bolted frame.

**Functionality**

- Knock-out blanking plates in the bottom and top plates, for installing fan units, cable entries, blanking plates and other 19" standard accessories.
- The cabinet frame includes holes for assembling accessories.
- U-marking on the mounting profiles.
- Smooth adjustment of 19" mounting profiles.
- Maximum opening angle for front door – 270°.
- Door opening direction can be changed.
- Possibility to put the cabinet directly on the floor (no protruding elements under the cabinet).
- Adaptation for bying the cabinets in the rows.

**CONFIGURATION**

- Bolted frame (bottom plate, top plate, four posts, six C-profiles with reinforcing clamps, four connectors).
- Front glass door with metal sides and three-point lock with swing handle.
- Rear solid metal, shortened door with two single-point locks without handle; 3U cable entry panel with a brush strip, mounted under the shortened door.
- Two solid metal side panels with single-point locks.
- Two pairs of 19" mounting profiles.
- Earthing bar.
- Door and side panels earthing conductors (not shown in photos).
- Four levelling feet.

**TECHNICAL DATA**

**Material**

Frame, side panels, rear door, mounting profiles, C-profiles, reinforcing clamps, connectors – sheet steel.  
 Front door – sheet steel, clear mineral safety glass.

**Protection degree**

IP 20 in accordance with EN 60529  
 (does not apply to brush cable entry).

**Surface finishing**

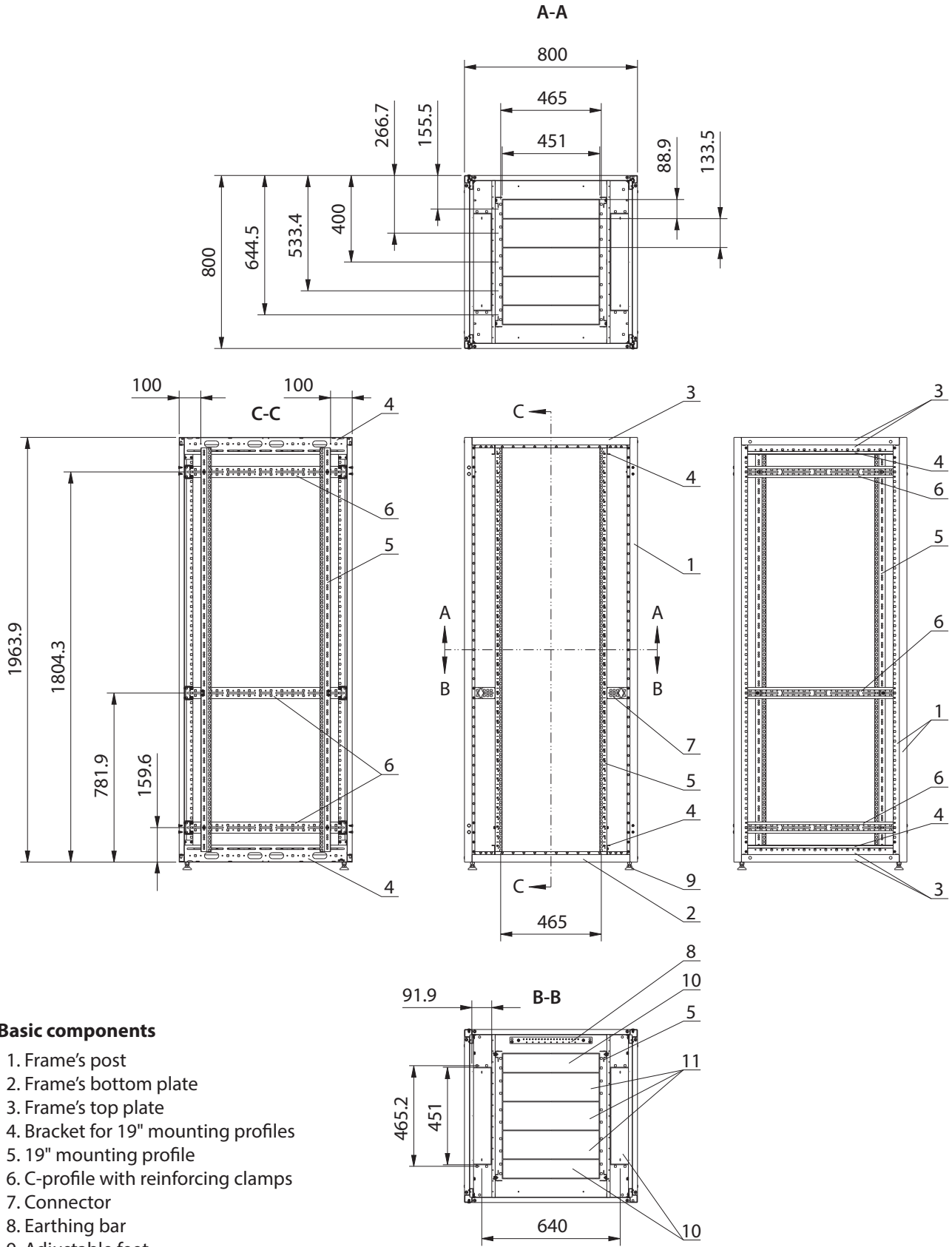
Frame, side panels, doors – powder paint, light grey (RAL 7035).  
 Mounting profiles, C-profiles, reinforcing clamps, connectors – Al-Zn coated.

**Static load capacity**

1500 kg

**SZB IT2 Data Communication Cabinet 42 U, 800 x 800 mm**

Catalogue number: WZ-IT2-428080-69AA-14-011



**Basic components**

1. Frame's post
2. Frame's bottom plate
3. Frame's top plate
4. Bracket for 19" mounting profiles
5. 19" mounting profile
6. C-profile with reinforcing clamps
7. Connector
8. Earthing bar
9. Adjustable feet
10. Knock-out blanking plate 19" x 2 U
11. Knock-out blanking plate 19" x 3 U

The cabinet in the drawing is shown without any panels or doors.

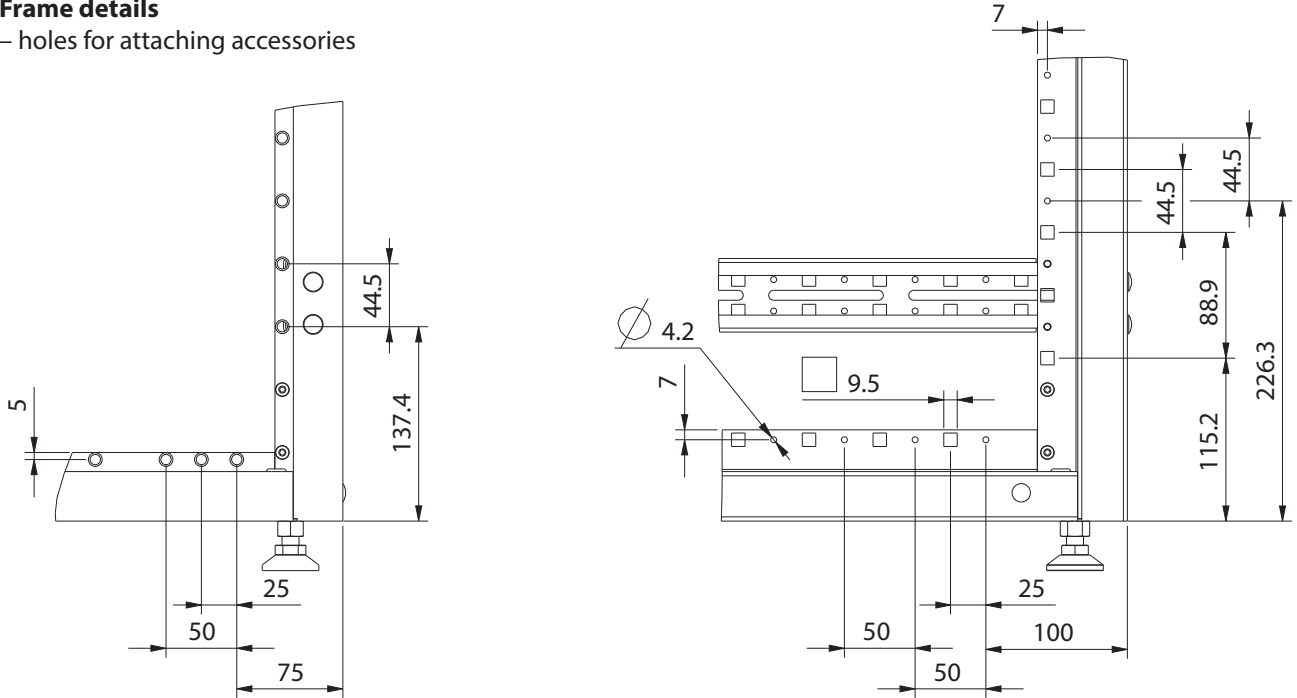
### SZB IT2 Data Communication Cabinet 42 U, 800 x 800 mm

Catalogue number: WZ-IT2-428080-69AA-14-011



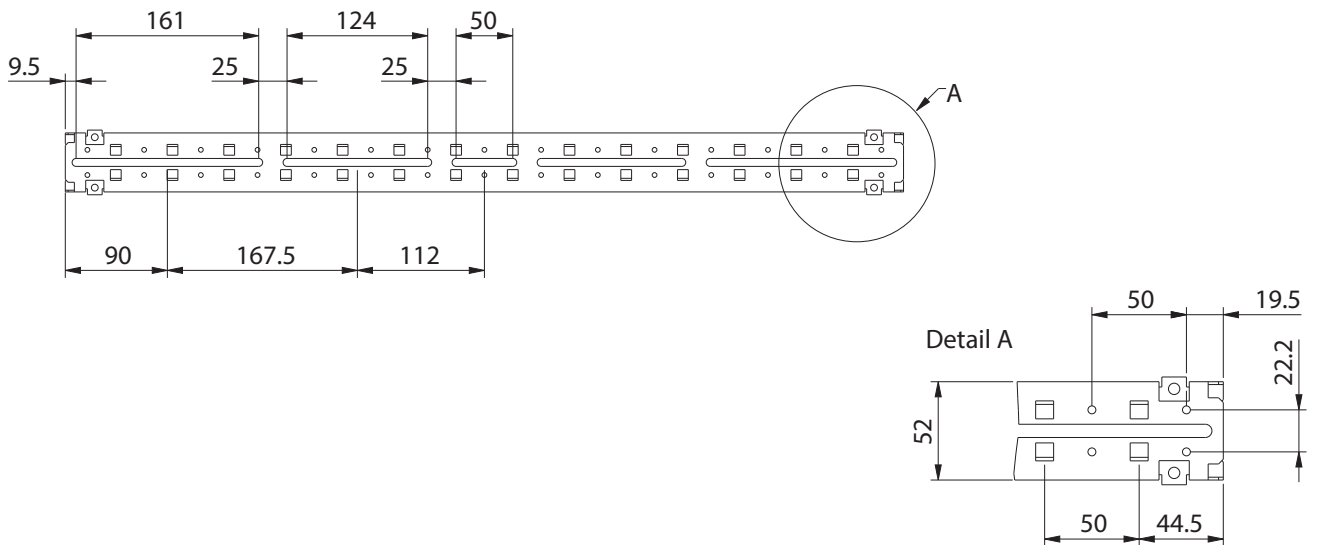
#### Frame details

– holes for attaching accessories



#### C-profile

– holes for attaching accessories

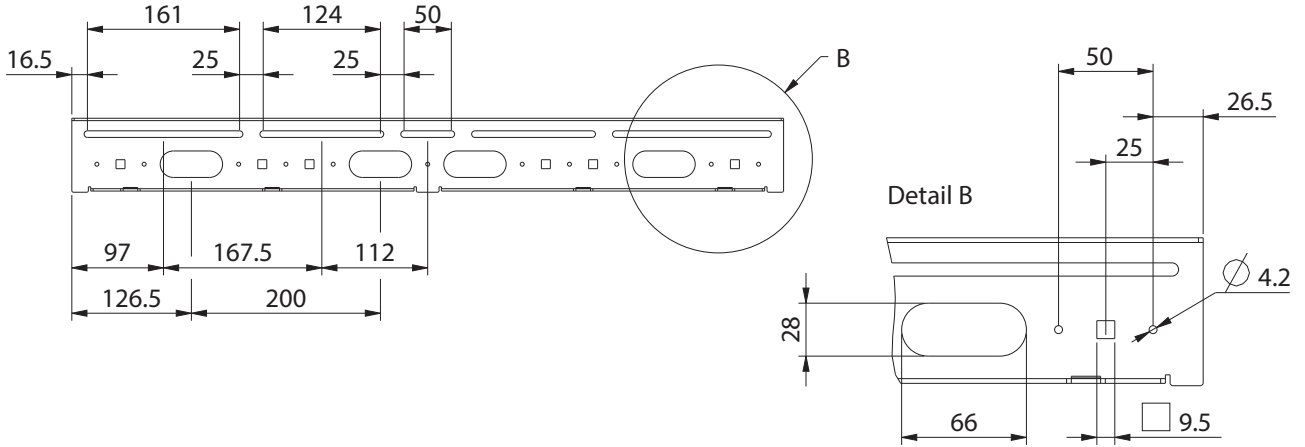


# SZB IT2 Data Communication Cabinet 42 U, 800 x 800 mm

Catalogue number: WZ-IT2-428080-69AA-14-011



## Bracket for 19" mounting profiles



## 19" mounting profile

