

SZB IT2 Data Communication Cabinet 42 U, 800 x 800 mm

Catalogue number: WZ-IT2-428080-69AA-24-011

ZPAS**PRODUCT DESCRIPTION**

Cabinet for ICT applications based on a bolted frame.

Functionality

- Knock-out blanking plates in the bottom and top plates, for installing fan units, cable entries, blanking plates and other 19" standard accessories.
- The cabinet frame includes holes for assembling accessories.
- U-marking on the mounting profiles.
- Smooth adjustment of 19" mounting profiles.
- Maximum opening angle for front door – 270°.
- Door opening direction can be changed.
- Possibility to put the cabinet directly on the floor (no protruding elements under the cabinet).
- Adaptation for bying the cabinets in the rows.

CONFIGURATION

- Bolted frame (bottom plate, top plate, four posts, four C-profiles).
- Front glass door with metal sides and three-point lock with swing handle.
- Rear solid metal, shortened door with two single-point locks without handle; 3U cable entry panel with a brush strip, mounted under the shortened door.
- Two solid metal side panels with single-point locks.
- Two pairs of 19" mounting profiles.
- Earthing bar.
- Door and side panels earthing conductors (not shown in photos).
- Four levelling feet.

TECHNICAL DATA**Material**

Frame, side panels, rear door, mounting profiles, C-profiles – sheet steel.

Front door – sheet steel, clear mineral safety glass.

Protection degree

IP 20 in accordance with EN 60529
(does not apply to brush cable entry).

Surface finishing

Frame, side panels, doors
– powder paint, light grey (RAL 7035).

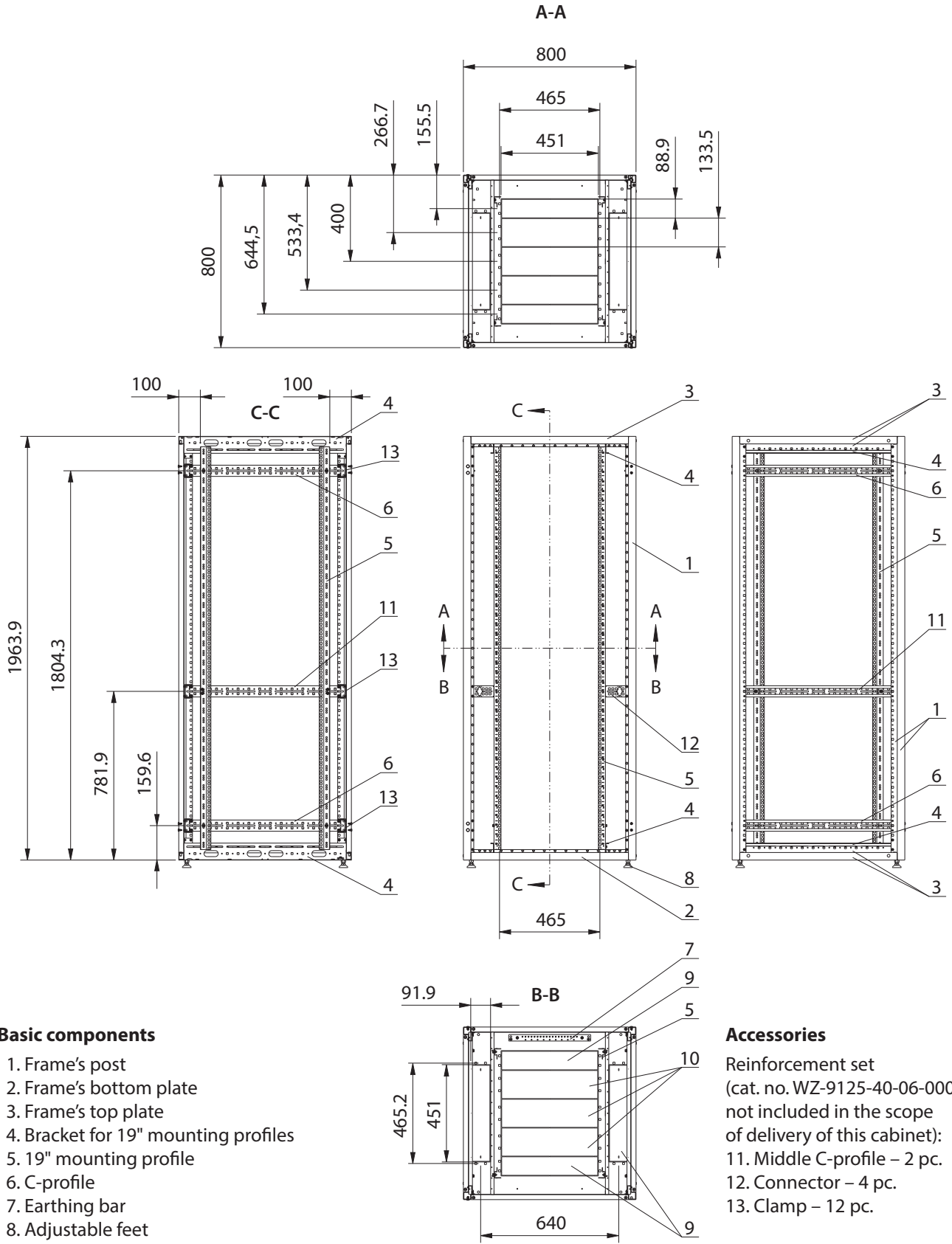
Mounting profiles, C-profiles
– Al-Zn coated.

Static load capacity

500 kg for a cabinet in the basic version,
1500 kg for a cabinet with reinforcement set (the reinforcement set is not included in the scope of delivery of this cabinet; it is an accessory).

SZB IT2 Data Communication Cabinet 42 U, 800 x 800 mm

Catalogue number: WZ-IT2-428080-69AA-24-011



Basic components

- 1. Frame's post
- 2. Frame's bottom plate
- 3. Frame's top plate
- 4. Bracket for 19" mounting profiles
- 5. 19" mounting profile
- 6. C-profile
- 7. Earthing bar
- 8. Adjustable feet
- 9. Knock-out blanking plate 19" x 2 U
- 10. Knock-out blanking plate 19" x 3 U

Accessories

- Reinforcement set (cat. no. WZ-9125-40-06-000, not included in the scope of delivery of this cabinet):
- 11. Middle C-profile – 2 pc.
 - 12. Connector – 4 pc.
 - 13. Clamp – 12 pc.

The cabinet in the drawing is shown without any panels or doors.

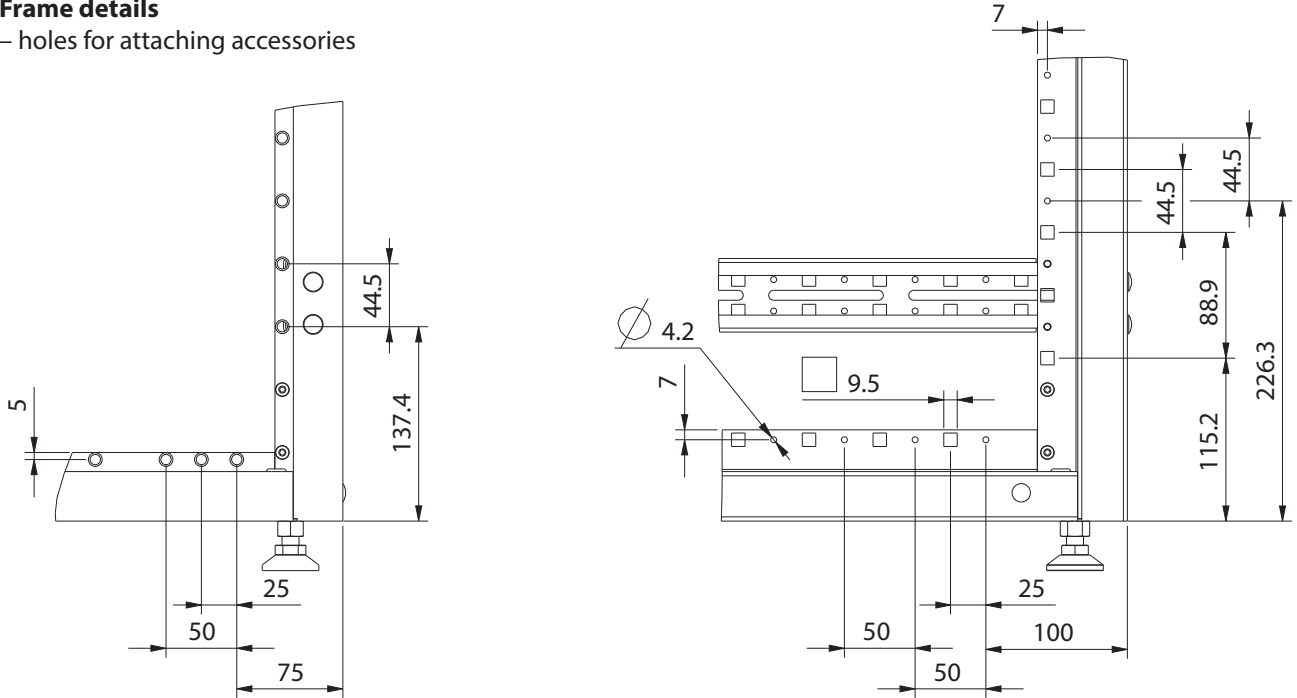
SZB IT2 Data Communication Cabinet 42 U, 800 x 800 mm

Catalogue number: WZ-IT2-428080-69AA-24-011



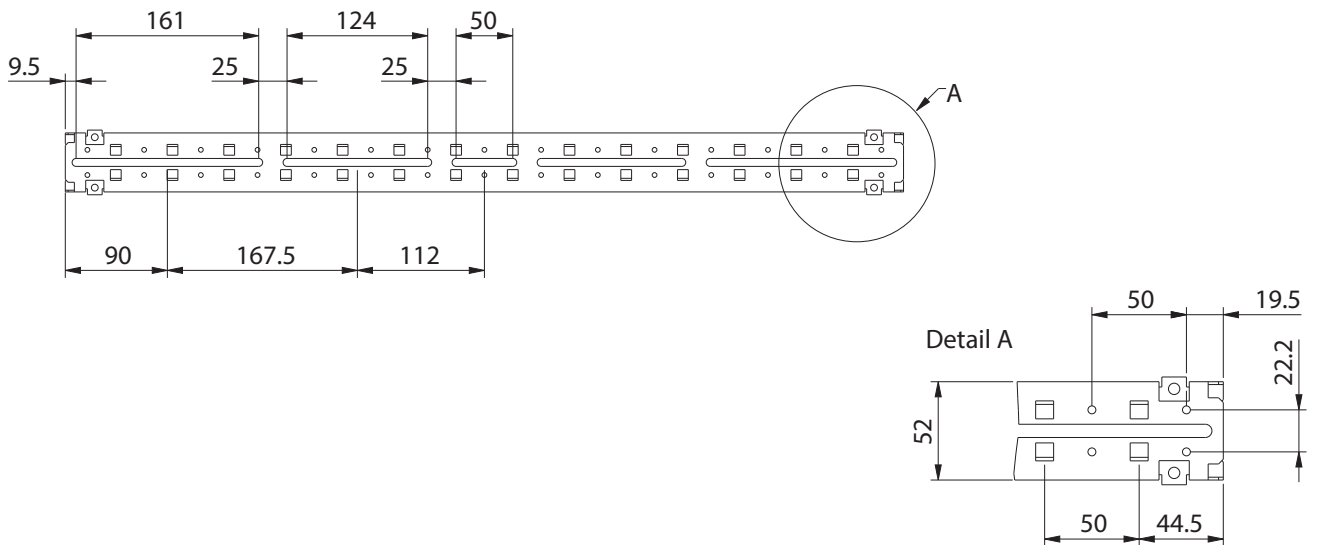
Frame details

– holes for attaching accessories



C-profile

– holes for attaching accessories

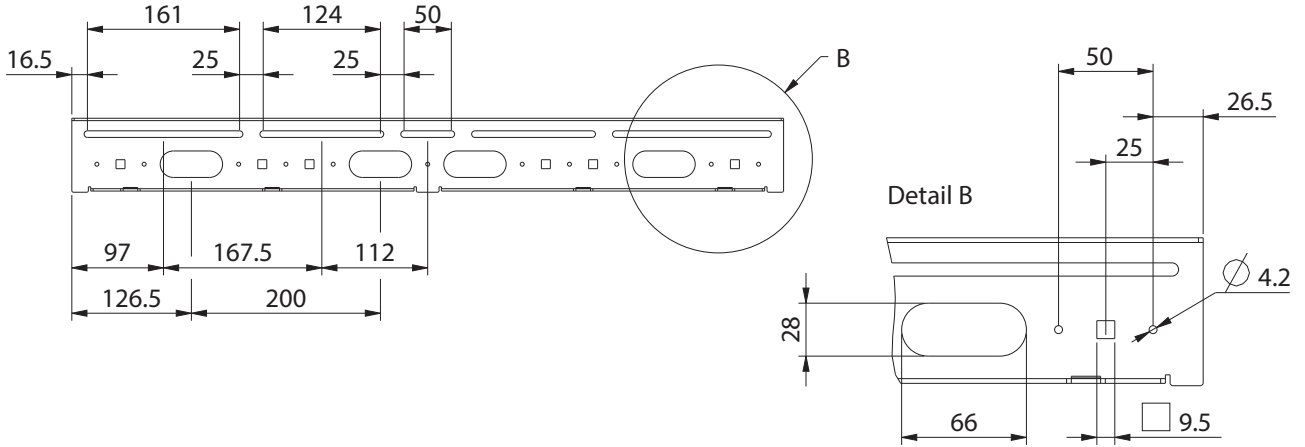


SZB IT2 Data Communication Cabinet 42 U, 800 x 800 mm

Catalogue number: WZ-IT2-428080-69AA-24-011



Bracket for 19" mounting profiles



19" mounting profile

