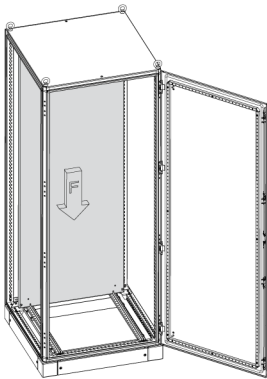
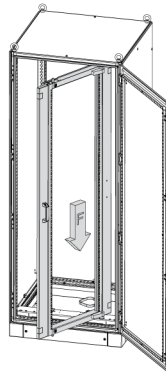


MANUFACTURER'S DECLARATION regarding the load capacity of SZE3 cabinets

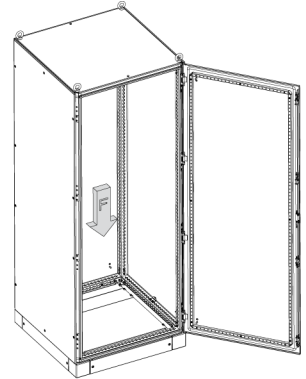
We hereby declare that depending on the kind of load SZE3-type industrial cabinets manufactured by our company have a maximum acceptable static load capacity of:



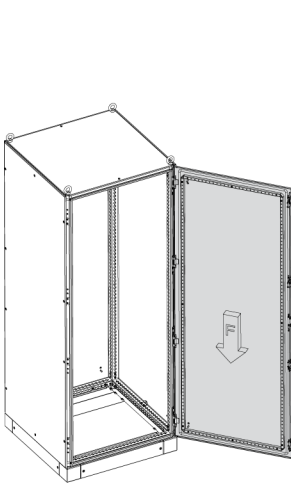
5 000 N
for load
on the mounting plate



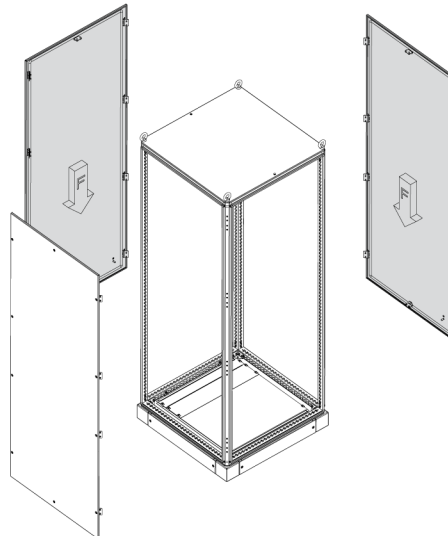
1 000 N
for load
on the swing frame



16 000 N
for load on a structure made of
mounting profiles fixed to the
cabinet's frame



500 N
for load
on the door



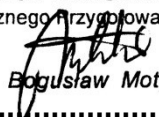
500 N
for load
on the side or rear panel



9 000 N
if cabinet lifted
by 4 lifting eyebolts

The load capacity of the cabinets was determined on the basis of tests performed by the manufacturer in conformity with the EN 62208 standard.

GLÓWNY TECHNOLOG ZPAS S.A.
ZASTĘPCA KIEROWNIKA DZIAŁU
Technicznego Przygotowania Produkcji


Bogusław Motyka

.....
(full name, function and signature of the agent representing the manufacturer)