

**SZB IT Data Communication Cabinet 33 U, 600 x 600 mm**

Catalogue number: W-IT-336060-42AA-2-161

**ZPAS****PRODUCT DESCRIPTION**

Cabinet for ICT applications based on a bolted frame.  
Static load capacity: 1000 kg

**Functionality**

- 71 mm wide cable openings in the top and bottom plates allow to put thought the power cords with three-phase plug.
- Ventilation perforation in the top plate.
- All openings in the top and bottom plates blanked with knock-out blanking plates.
- U-marking on the mounting profiles.
- Maximum door opening angle: 270°
- Possibility to put the cabinet directly on the floor (no protruding elements under the cabinet).
- Adaptation for bying the cabinets in the rows.
- Three-point locking system for cabinet doors.

**CONFIGURATION**

- Bolted frame (bottom plate, top plate, four posts).
- Single-leaf front door, perforated (80% perforation clearance) with a three-point lock with a handle.
- Single-leaf solid rear door, three-point lock with handle.
- Two solid metal side panels with single-point locks.
- Two pairs of 19" mounting profiles, type STANDARD.
- Earthing bar.
- Earthing cables for doors and side panels (not shown in the photo).
- Four levelling feet.

**TECHNICAL DATA****Material**

Sheet steel.

**Protection degree**

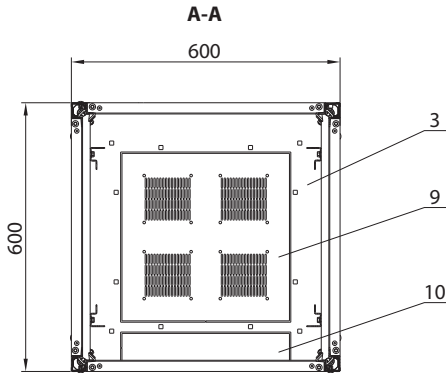
IP 20 in accordance with EN 60529.

**Surface finishing**

Frame, side panels, doors – powder paint, black (RAL 9005).  
Earthing bar, mounting profiles, C-profiles – zinc coated.

**SZB IT Data Communication Cabinet 33 U, 600 x 600 mm**

Catalogue number: W-IT-336060-42AA-2-161



**DESIGN**

1. Frame's post
2. Frame's bottom plate
3. Frame's top plate
4. Adjustable feet
5. C-profile for 15 mm deep mounting profiles
6. 19" mounting profile, type STANDARD, 15 mm deep
7. Earthing bar
8. Knock-out blanking plate 380 x 380 mm, solid
9. Knock-out blanking plate 380 x 380 mm, perforated
10. Knock-out blanking plate 380 x 71 mm, solid

**Note:**

The cabinet in the drawing is shown without any panels or doors.

